

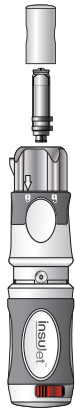
insuJet™

Insulin - Jet Administration System

instructions for use



INSUJET™ BASIC STARTER PACK CONTAINS



1 InsuJet™
pen



1 Nozzle Cap

1 Nozzle & Piston



1 vial (10mL) adaptor

1 cartridge (3mL) adaptor



1 Cartridge Cap Removal Key

- 1 Instructions for Use
- 1 Additional information
- 1 Pouch

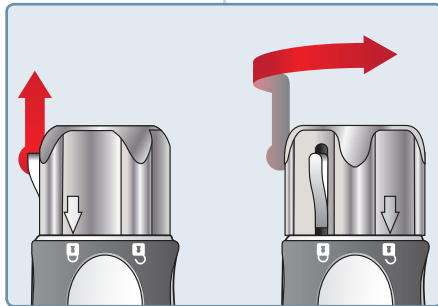
External supplies: a tissue

INDEX

Attaching the nozzle & piston	6
Attaching the adaptor	9
Preparing the InsuJet™ for administration	14
Administrating insulin with the InsuJet™	21
Removing the nozzle & piston for replacement	25

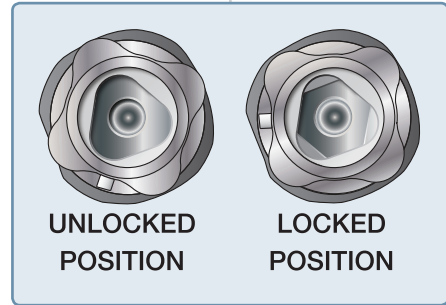
ATTACHING THE NOZZLE & PISTON

6

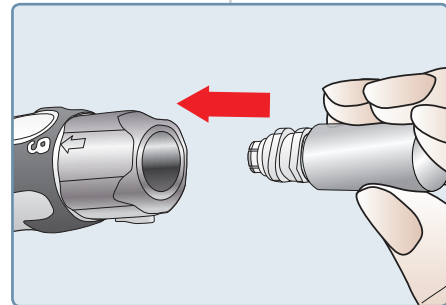


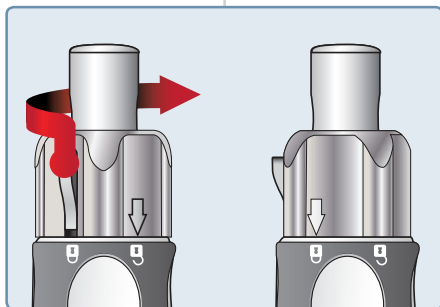
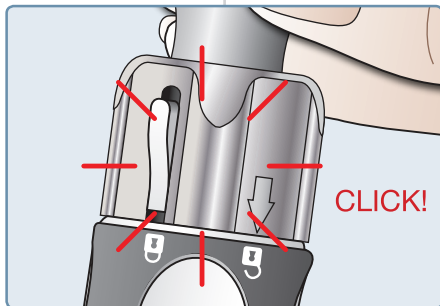
Whilst sliding the nozzle lock catch upwards, turn the nozzle lock to the right until the nozzle lock arrow points to the padlock unlocked position.

Ensure that the triangular corners on the nozzle & piston are aligned with the triangular shape inside the nozzle lock before inserting the nozzle & piston.



Firmly push the nozzle & piston as far as it will go straight into the opening in the nozzle lock of the InsuJet™.

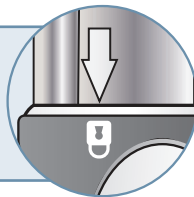




You should hear and feel a 'click' as the nozzle & piston engages. At least 1/3rd of the nozzle cap will no longer be visible. Once you have fully inserted the nozzle & piston, turn the nozzle lock to the left until the nozzle lock arrow points to the padlock locked position. The nozzle & piston is now installed correctly.

IMPORTANT

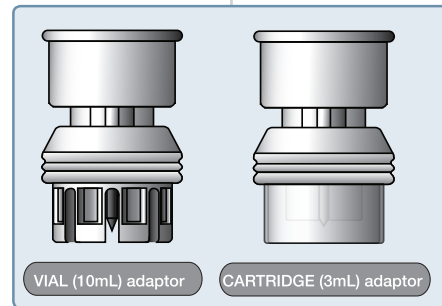
Ensure that the nozzle lock arrow points to the padlock locked position.

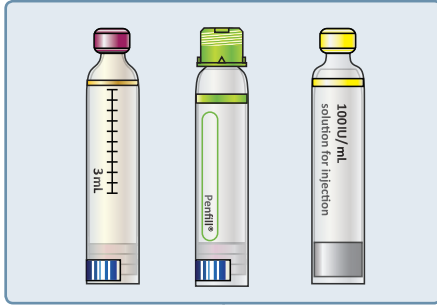


ATTACHING THE ADAPTOR

Vial adaptor 10mL
Cartridge adaptor 3mL

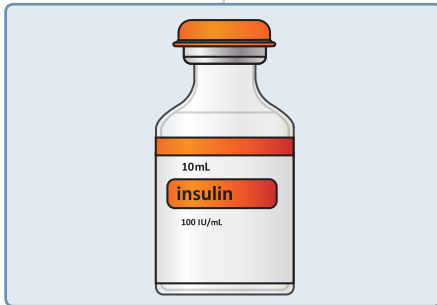
The instructions show a cartridge (3mL)
adaptor with an insulin cartridge





Several 3mL cartridges

Penfill® is a registered trademark of Novo Nordisk A/S.



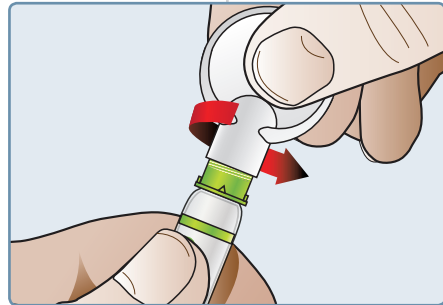
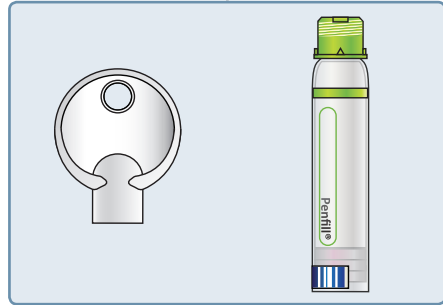
10mL vial

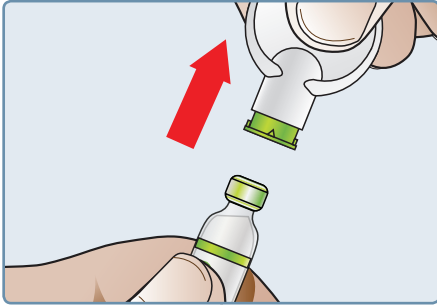
NOTICE

For Novo Nordisk Penfill® users:

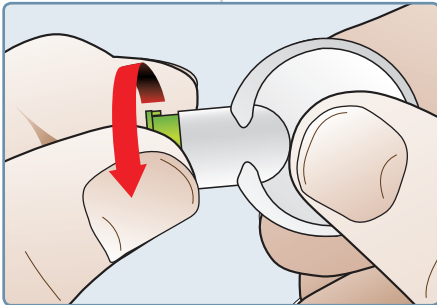
remove the colored cartridge cap by using the cartridge cap removal key;

screw the cartridge cap removal key onto the coloured cartridge cap;





pull off the coloured cartridge cap from the Penfill® with a straight firm pull;

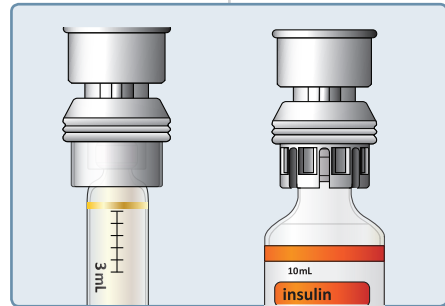
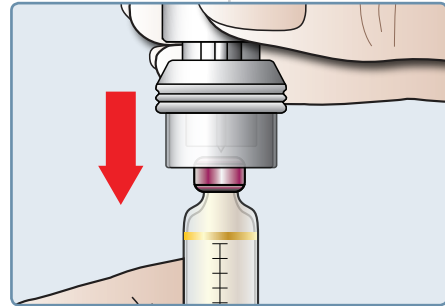


discard the coloured cartridge cap with your regular household waste.

The picture shows a cartridge adaptor (3 mL) with an insulin cartridge.

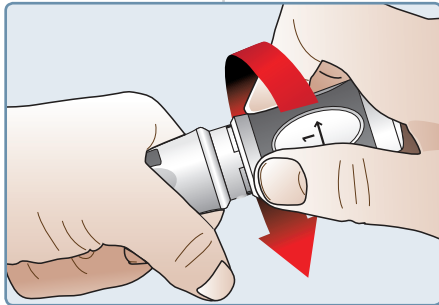
Push the adaptor over the end of the insulin cartridge/vial, making sure that the plastic needle of the adaptor pierces the rubber stopper on top of the insulin cartridge/vial.

The adaptor remains on the cartridge/vial.



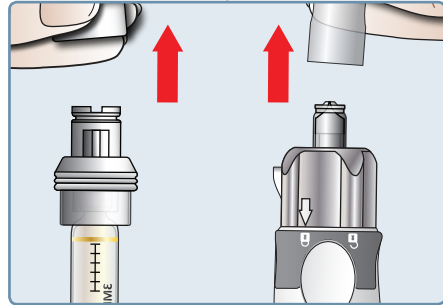
PREPARING THE INSUJET™ FOR ADMINISTRATION

14

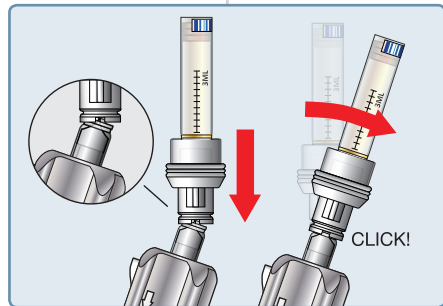


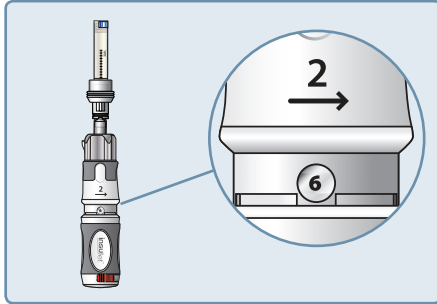
On the back body of the InsuJet™ you will notice the number '1' with a directional arrow. Wind the back body in the direction of the arrow until you feel resistance. The InsuJet™ is now ready to be filled with insulin.

Remove the clear adaptor cover from the adaptor. Ensure that the nozzle cap is removed from the nozzle & piston.

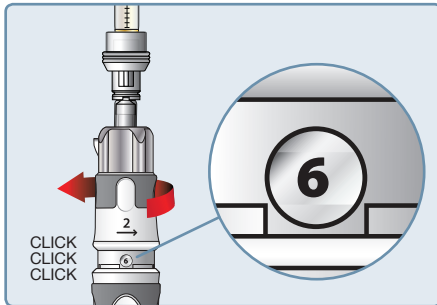


Attach the insulin cartridge/vial by pressing the adaptor firmly onto the front end of the nozzle & piston. Tilting the adaptor while pressing will ensure that the adaptor attaches easily.





Hold the InsuJet™ with the insulin cartridge/vial upwards and the dose window facing you. On the front body of the InsuJet™ you will notice the number ‘2’ with a directional arrow (2).

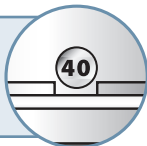


Hold the back body stationary and turn the front body in the direction of the arrow until your desired dose of insulin appears in the dose window. For each unit that is aspirated into the nozzle, you will notice a “click”. Always aspirate some extra insulin into the nozzle. If you do not see any air bubbles, 1 unit of insulin is sufficient.

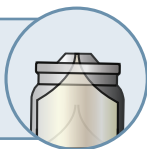


VERY IMPORTANT

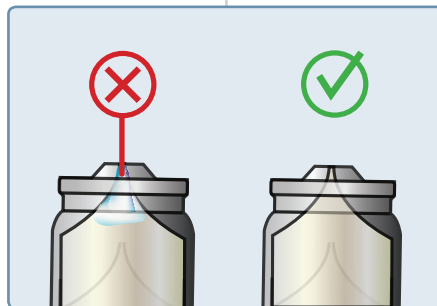
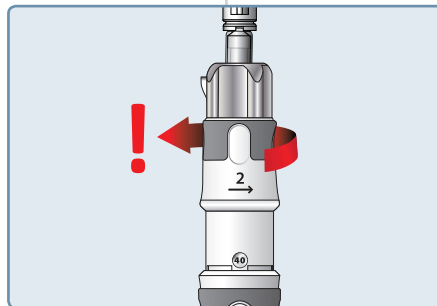
Do not attempt to wind the InsuJet™ beyond the 40 units indication.

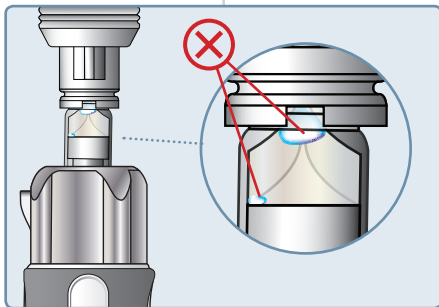


Always ensure that the nozzle is completely filled with insulin or test fluid before using the InsuJet™

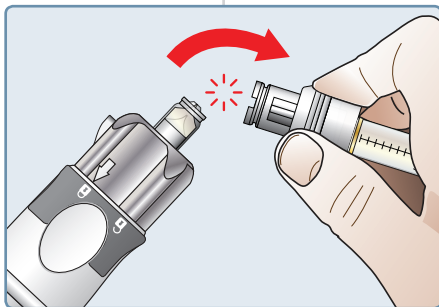


Attempting to wind the InsuJet™ beyond the 40 units indication, or using the InsuJet™ when the nozzle is not completely filled with insulin or test fluid may damage the InsuJet™ beyond repair and even cause serious injury.



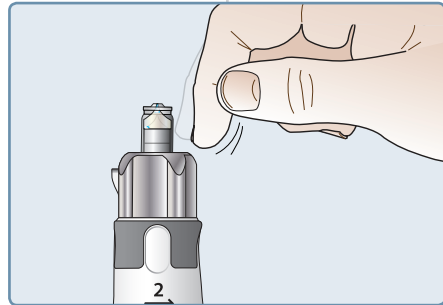


If you see some air bubbles in the nozzle, aspirate 3 to 5 units of insulin extra depending on the size of the air bubbles.

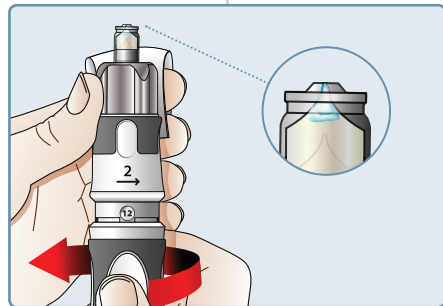


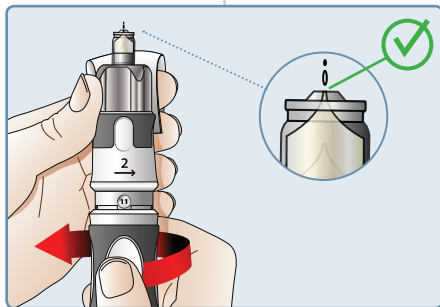
Disconnect the insulin cartridge/vial and adaptor from the InsuJet™, snap the adaptor away from the nozzle & piston and remove.

Keeping the InsuJet™ upright. Tap the nozzle firmly with your finger tips, collecting all air bubbles close to the opening.



Fold the tissue to your index finger and keep it beside the opening of the nozzle. Wind back to your required dose of insulin.





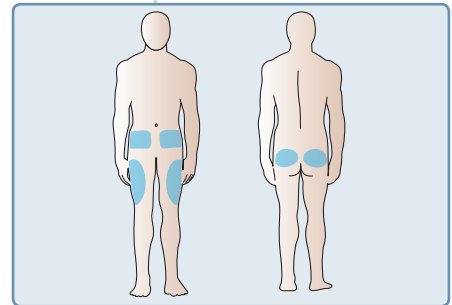
The air bubble and the excess of insulin will flow through the hole in the nozzle. Gently wipe the excess of insulin with a tissue from the side. Always read the number of units in the dose window to check you have the correct dose before administration.

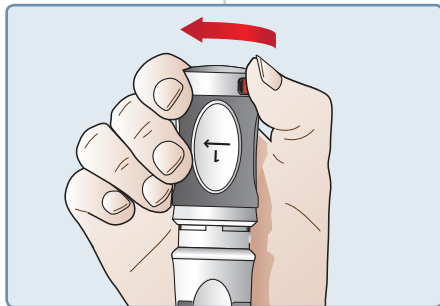
ADMINISTER INSULIN WITH THE INSUJET™

To administer your insulin, follow steps 1 to 7 below:

Step 1

Select your administration site. See the 'InsuJet™ Additional information' for administration sites and administration techniques.



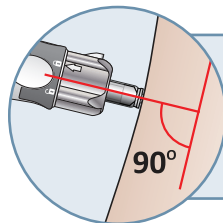
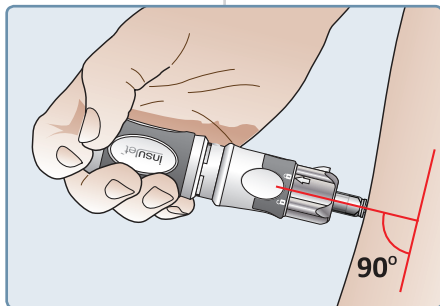


Step 2

Slide the red safety catch as far as it will go and hold it in place.

Step 3

Place the end of the nozzle & piston against your chosen administration site, ensuring that the InsuJet™ is held at right angles (90°) to the skin.

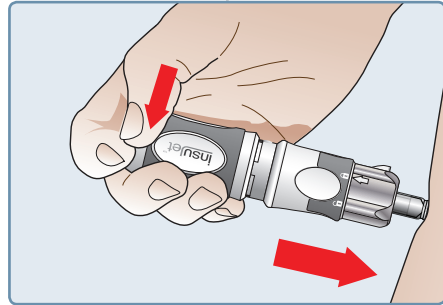


IMPORTANT

Ensure that the InsuJet™ is held perpendicular to the administration site.

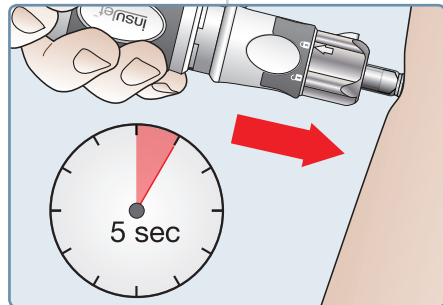
Step 4

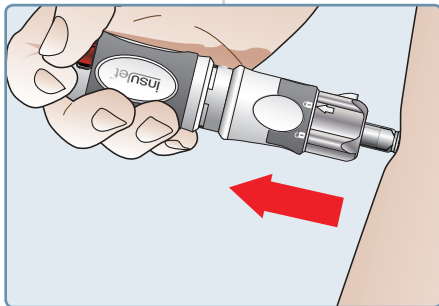
While you are holding the red safety catch in place, push the back body towards your skin. This will result in releasing the safety mechanism and finally, in the insulin administration.



Step 5

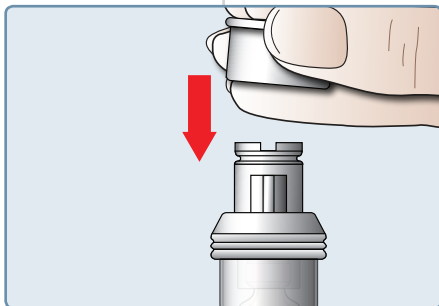
Continue to hold the nozzle & piston firmly against the skin for 5 seconds.





Step 6

Remove the InsuJet™ from the skin and release the red safety catch.



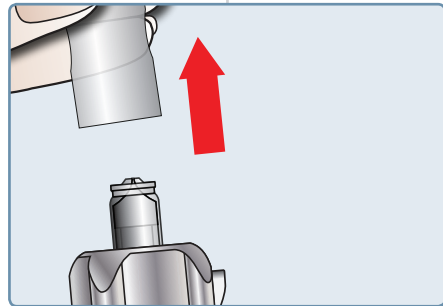
Step 7

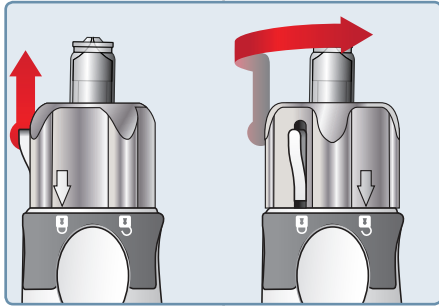
Place the clear adaptor cover back on the adaptor until the next time. Store your insulin according the guidelines of your insulin supplier.

REMOVING THE NOZZLE & PISTON FOR REPLACEMENT

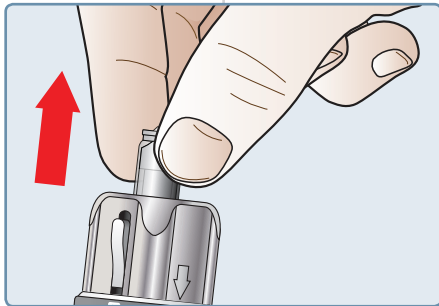
25

Remove the nozzle cap from the nozzle & piston.



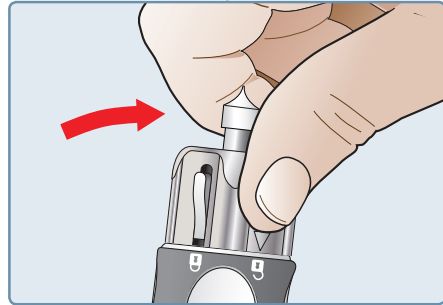


While sliding the nozzle lock catch upwards, turn the nozzle lock to the right until the nozzle lock arrow points to the padlock unlocked position.

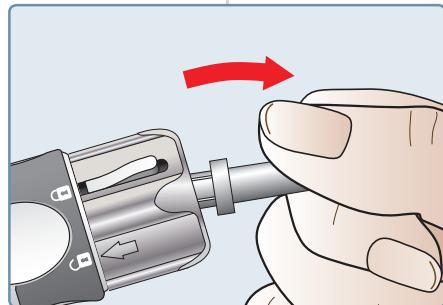


Pull the nozzle out of the InsuJet™ with a straight firm pull.

Remove the piston of the InsuJet™ by pushing it firmly to one side.



Remove the piston. Discard the used nozzle & piston with your regular household waste.





European Pharma Group BV
Euro Offices Building 3rd Floor
Beechavenue 127, 1119 RB Schiphol Rijk
The Netherlands
Tel: +31 (0) 20 316 01 40
www.insujet.com | info@nipholding.com

C € 0459

012000-01-4.0